

CROWN

Specifications

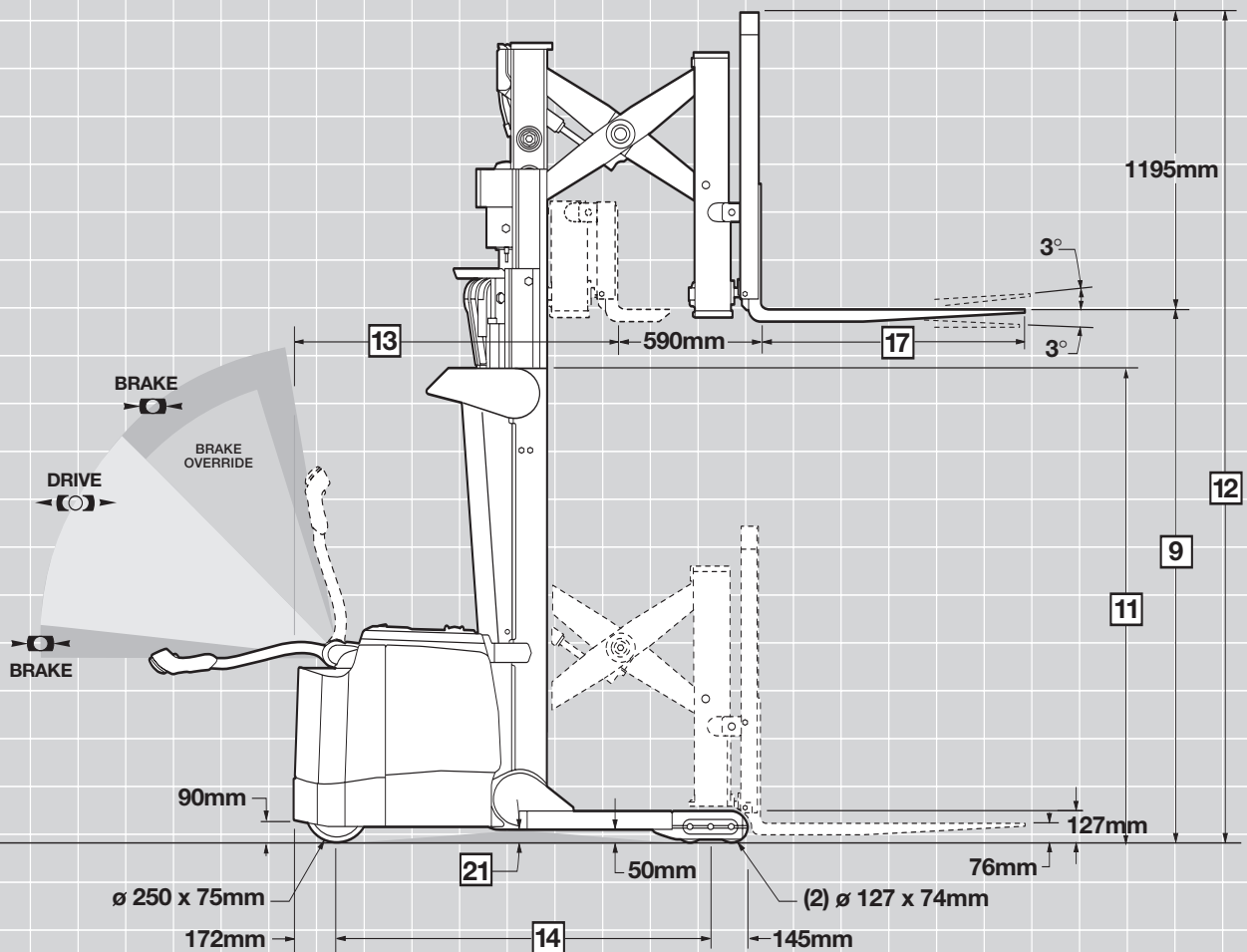
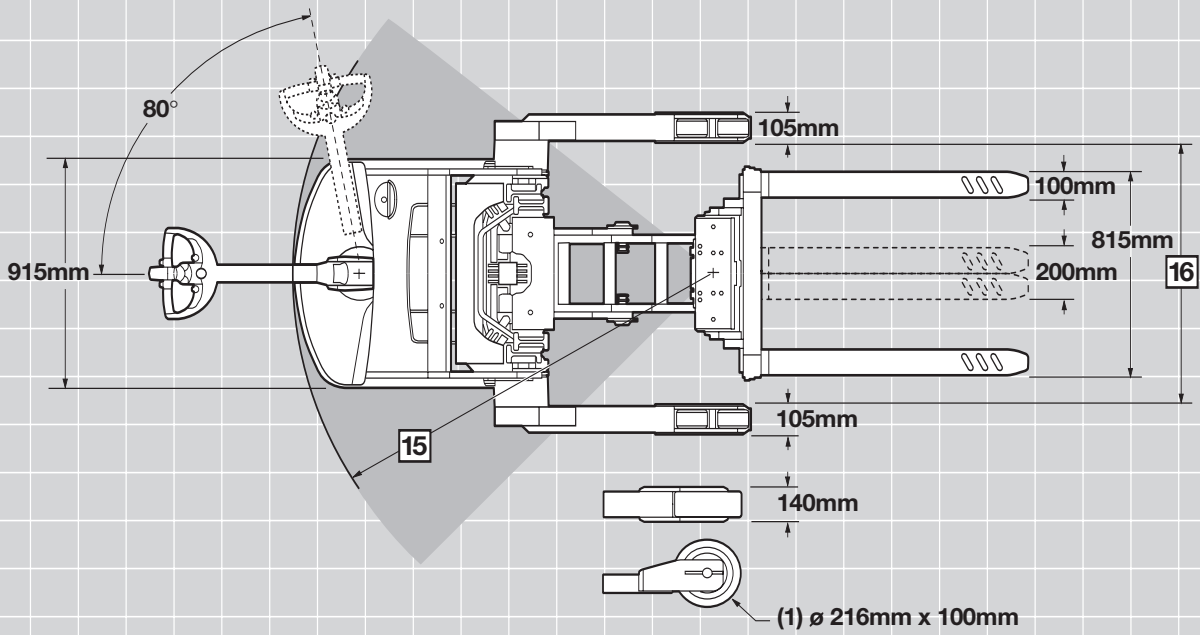
SHR 5500 Series

Heavy-Duty Walkie
Reach Stacker

SHR 5500

Series





SHR 5500 Series

Specifications

General Information	1	Manufacturer	Crown Equipment Corporation		
	2	Model	SHR 5520-13		SHR 5540-16
	3	Load Capacity	kg	See Chart	See Chart
	4	Load Center	mm	600	600
	5	Power	Electric	24 Volts	24 Volts
	6	Operator Type	Walkie	Reach Stacker	Reach Stacker
	7	Tyre Type	Load/Drive	Poly/Vulkollan	Poly/Vulkollan
	8	Wheels (x=driven)	Load/Drive	4/1x	4/1x
Dimensions	9	Lifting Height	mm	See Chart	See Chart
	13	Head Length*	mm	1120	1285
	14	Wheelbase	mm	1340	1505
	15	Turning Radius	mm	1510	1675
	16	Inside Straddle	mm	865-1270mm in 50mm increments	
17	Forks	Standard LxWxT	mm	1070 x 100 x 38	1070 x 100 x 45
		Optional Lengths	mm	760, 915, 990, 1145, 1220, 1370, 1525	
Performance	18	Travel Speeds	Empty/Laden	kph	6.0 / 5.4
	19	Lift Speeds	Empty/Laden	kph	0.24 / 0.15
	20	Lowering Speeds	Empty/Laden	m/s	0.25 / 0.25
	21	Grade Clearance**	%	9 / 17	8 / 15
	22	Battery	Min Weight/Max Amp		230 / 290
Max Battery Size WxLxH				168 x 890 x 590	335 x 805 x 590

* Add 55mm for Side Shift

** 100mm Load Wheel / 127mm and 216mm Load Wheels

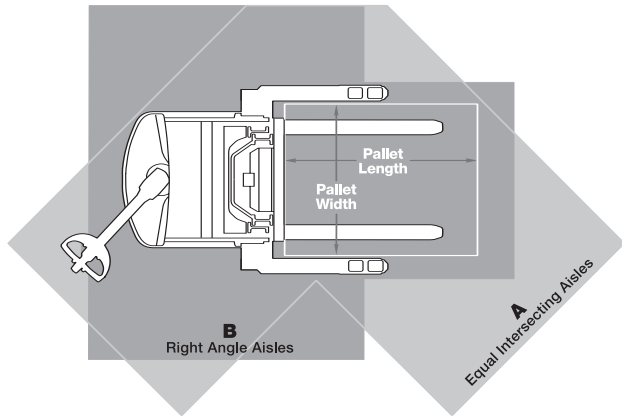
Mast and Weight	Mast Type		TL – Limited Free Lift			TT – Triple Telescopic					
	9	Lifting Height	mm	2665	3240	3810	3960	4875	5335		
	3	Load Capacity****	up to 3960mm	SHR 5520-13	kg	1360	1360	1360	1360	n/a	n/a
			up to 3450mm	SHR 5540-16	kg	-	-	1590	-	-	-
			up to 3960mm		kg	1590	1590	1520	1590	1590	1590
			up to 4275mm		kg	-	-	-	-	1360	1360
			up to 4875mm		kg	-	-	-	-	1135	1135
			above 4875mm		kg	-	-	-	-	-	900
	10	Free Lift	with LBR	mm	150	150	150	710	1070	1225	
	11	Collapsed Height		mm	1905	2120	2425	1905	2260	2415	
	12	Extended Height	with LBR	mm	3885	4445	5030	5180	6095	6555	
	23	Min ID Straddle Width		mm	865	865	865	865	1070	1220	
	24	Truck Weight w/o Battery***	SHR 5520-13	kg	1825	1860	1905	2110	n/a	n/a	
SHR 5540-16			kg	1805	1840	1885	2090	2150	2175		

*** Add 50kg for Side Shift

**** Deduct 140kg for Side Shift

SHR 5500 Series

Aisle Planning Guide



SHR5520 RAS & Equal Aisle

Pallet Width	Pallet Length												
	760		915		1015		1065		1170		1220		
	A	B	A	B	A	B	A	B	A	B	A	B	
915	mm	1580	1970	1580	2050	1580	2200	1580	2260	1600	2380	1600	2450
1015	mm	1640	1985	1640	2055	1640	2210	1640	2280	1650	2400	1660	2460
1065	mm	1665	1990	1665	2060	1665	2220	1665	2290	1675	2410	1680	2470
1170	mm	1720	2005	1720	2060	1720	2230	1720	2300	1730	2430	1740	2490
1220	mm	1750	2010	1750	2060	1750	2240	1750	2310	1760	2440	1770	2500

SHR5540 RAS & Equal Aisle

Pallet Width	Pallet Length												
	760		915		1015		1065		1170		1220		
	A	B	A	B	A	B	A	B	A	B	A	B	
915	mm	1670	2110	1670	2190	1670	2340	1670	2400	1675	2520	1680	2580
1015	mm	1725	2120	1725	2190	1725	2340	1725	2410	1725	2540	1735	2600
1065	mm	1750	2130	1750	2200	1750	2350	1750	2420	1760	2550	1765	2610
1170	mm	1810	2140	1810	2200	1810	2360	1810	2430	1810	2560	1820	2630
1220	mm	1840	2140	1840	2200	1840	2370	1840	2440	1840	2570	1845	2640

A = Equal Intersecting Aisles
B = Right Angle Aisles

Add 65mm if side shift option is used.
Add 150 to 300mm to all aisle dimensions for maximum maneuverability.

Capacity

Model SHR 5520-13: 1360kg at 600mm load center

Model SHR 5540-16: 1590kg at 600mm load center

Maximum Battery Size

SHR 5520-13: 168mm wide x 890mm long x 590mm high – up to 290 amp hours, 24 volts

SHR 5540-16: 335mm wide x 805mm long x 590mm high – up to 585 amp hours, 24 volts

Standard Equipment

- 24-volt electrical system
- Crown's Access 1 2 3[®] Comprehensive System Control
- Access 1 2 3[®] display
 - Eight-character scrolling display, 5 button access
 - Three selectable performance levels
 - BDI with lift interrupt
 - Five hour meters
 - Event codes
 - Access 1 2 3[®] diagnostics with real time troubleshooting
 - PIN code capability
- AC traction and steer motors
- Performance enhancing features
 - X10[®] Handle standard reach and tilt buttons
 - Brake override
 - Electronic power steering
 - Ramp hold and speed control
 - Power boost
 - High-visibility mast and carriage
 - Low profile power unit
 - Tool storage tray
- Plexiglass safety shield
- Vulkollan drive tire – 250mm x 75mm wide
- Polyurethane load wheels – 127mm x 74mm wide
- InfoPoint[®] System
- Steel power unit covers
- 835mm wide x 1195mm tall load backrest
- Emergency power disconnect
- Key switch
- Horn
- SB175 gray battery connector
- Reversing button
- Electric park brake
- Fork tip indicators
- Battery compartment rollers

Optional Equipment

- 30 amp on-board charger (168mm battery box)
- Keyless on-off switch
- Work Assist[™] Accessories:
 - Clip pad
 - Hook
 - Clip pad and hook
 - Pocket
 - Fan
- Sideshift with internal hosing
- Optional fork lengths (760, 915, 990, 1195, 1220, 1370, 1525mm)
- Freezer conditioning (Continuous -30° C / -22° F)
- Wire mesh guard - mast
- 250mm dia. x 100mm wide drive tire
 - Soft poly
 - Siped soft poly
- Polyurethane load wheels
 - 100mm dia x 73mm wide
 - 216mm dia. x 100mm wide
- InfoLink[®] ready
- SBE 160 battery connector

Operator Controls

Crown's robust X10 handle places all control buttons in the optimum position for ease of operation with either hand and to minimise hand and wrist movements. An ergonomic forward/reverse thumb wheel allows for precise manoeuvring. The control hand grips are urethane covered for insulation from cold and vibration with integrated horn buttons for easy activation. The handle contains a safety button which reverses the direction of the truck should the button touch the operator.

The physical efforts to hold the handle at a comfortable height was minimised to reduce fatigue.

A rabbit/turtle switch incorporates two levels of programmable travel performance so operators can select the setting that matches their experience level or application requirements.

Exclusive brake override feature allows slow speed travel with the handle near vertical. This feature improves manoeuvrability in tight areas.

SHR 5500 Series

Technical Information

Performance

The SHR 5500 Series incorporates the latest generation AC drive system enhanced with Access 1 2 3® technology. Crown's Access 1 2 3® technology continuously monitors truck systems and adjusts system parameters to deliver optimum performance and control. The Access Display provides a convenient interface for operators keeping them informed of any changes impacting truck performance and allowing them to choose from three performance profiles when enabled.

Programmable performance settings enable authorised personnel to tune the lift truck to different operator skill levels, or to meet specific application requirements. In addition, up to 25 PIN codes can be assigned to individual operators and matched to one of the pre-programmed performance profiles if desired.

Electronic power steering allows the operator to manoeuvre heavy loads in tight spaces throughout the day while minimising fatigue. Smooth travel and lift performance combine with excellent controls provided by the X10® handle to increase productivity.

The SHR 5500 Series features ramp hold and speed control to improve operation on small inclines or ramps. The ramp hold feature uses the motor to prevent truck movement when the brake is released and no travel command is present. The ramp speed control feature insures that actual travel speed matches requested travel speed. If the truck encounters an obstacle, a power boost feature delivers up to 15 percent more power than normally available for a full three seconds to overcome the obstruction.

Electrical System

A heavy-duty 24-volt fused electrical system utilises microprocessor controls for maximum energy efficiency, reduced maintenance and infinite speed control capability.

Access control modules for travel, lift and steer are sealed from dirt, dust and moisture for trouble-free operation. All contactors have been eliminated except for the main line contactor. A 175 amp battery connector with disconnect handle is standard.

Hydraulic System

Heavy-duty hydraulic motor (4.8 kW) is transistor controlled and matched with a gear type pump selected for optimum lift performance and low noise. Single-speed lift with programmable acceleration - deceleration and programmable two-speed lowering enables customisation to match operator preference or application requirements.

Cylinder rods are hard-plated chrome with polyurethane seals. Relief valve tuned to capacity protects all components in the hydraulic system. Reservoir incorporates an in-tank 10 micron return filter for removing debris from oil.

Drive Unit / Brake

Heavy-duty gearbox with helical spur input gear for quiet operation.

Regenerative motor braking is activated under a downhill condition, during plugging or when the directional control is returned to neutral. An electro-magnetic brake, spring applied and electrically released, is mounted on top of the drive motor. The electro-magnetic brake serves as the parking brake and applies when the control handle position moves from the operating zone to brake zone during truck operation.

Power Steering

Electronic power steering is provided by a heavy-duty AC motor that pivots the drive unit when steer tiller movement is detected.

Mast

High visibility two and three-stage mast design with angled cross bracing and lift cylinders located behind nested I-beams provides maximum visibility for load positioning and placement. Crown's staging cushions coupled with lowering dampers ensure smooth operation.

Rolled steel outer mast channels and inner I-beams roll on canted, steel, anti-friction roller bearings for minimal current draw and long life. Mast and chain rollers are sealed and lubricated for life.

Telescoping mast sections nest to reduce truck length. Heavier mast cross bracing design increases stiffness.

Reach Mechanism

An exclusive reach mechanism design provides unmatched visibility at all rack levels.

Serviceability / Durability

The Access display simplifies service for technicians by providing advanced diagnostics without the need for separate handsets. The display allows the technician to view event service codes and truck hours when event occurred, perform system calibrations or functional tests of components, and make necessary adjustments. Crown's InfoPoint System compliments Access 1 2 3® diagnostics by providing a Quick Reference Guide, on-truck component maps and information nuggets to further simplify troubleshooting. All wiring is color coded.

Removable steel power unit doors are hinged for ease of opening providing excellent accessibility to the distribution panel and all other components. Steel covers provide added protection to critical internal components.

Removable steel battery covers and hinged cover allow easy access to the battery. Battery removal can be accomplished from either side. Battery compartment rollers are standard.

The X10® handle incorporates a vacuum die cast process using high-grade aluminum and benefits from structural webbing for maximum strength and durability.

Other Options

1. Amber strobe light
2. Travel alarm: reverse, forward or both

Safety considerations and dangers associated with audible travel alarms and strobe lights include:

- Multiple alarms and/or lights can cause confusion.
- Workers ignore the alarms and/or lights after day-in and day-out exposure.
- Operator may transfer the responsibility for "looking out" to the pedestrians.
- Annoys operators and pedestrians.

Dimensions and performance data given may vary due to manufacturing tolerances. Performance is based on an average size vehicle and is affected by weight, condition of truck, how it is equipped and the conditions of the operating area. Crown products and specifications are subject to change without notice.



PT. HASTA PUTERA PERKASA
Roxy Mas Centre Blok C 3 / 12A
Jl. KH. Hasyim Ashari, Jakarta 10150
Phone. (021) 6330358, Fax. (021) 6327455
E-mail Address : hppcrown@hastaputera.com

You can count on Crown to build lift trucks designed for safe operation, but that's only part of the safety equation. Crown encourages safe operating practices through ongoing operator training, safety-focused supervision, maintenance and a safe working environment. Go to crown.com and view our safety section to learn more.

Because Crown is continually improving its products, specifications are subject to change without notice.

Crown, the Crown logo, the color beige, the Momentum symbol, Access 1 2 3®, InfoPoint, InfoLink and X10 Handle are trademarks of Crown Equipment Corporation.

Copyright 2008 Crown Equipment Corporation
ASF0074
Printed in Australia.