

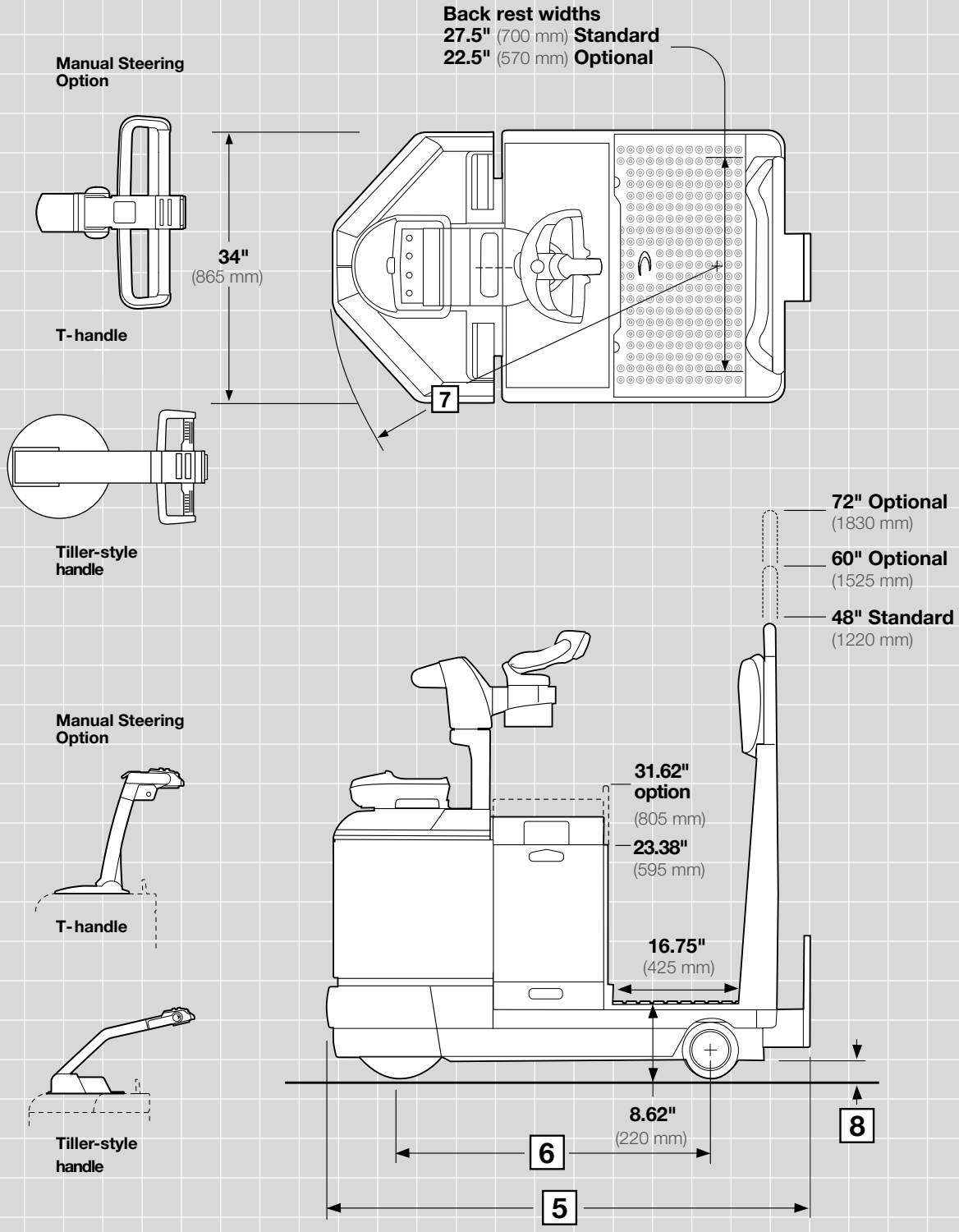
CROWN

TR 4500 SERIES

Profile Sheet
Tow Tractor



TR 4500 Series



TR 4500 Series

				Imperial	Metric	
General Info	1	Manufacturer		Crown Equipment Corporation		
	2	Model		TR 4500		
	3	Drawbar Pull	Normal	lb kg	250*	110*
			Maximum	lb kg	750*	340*
	4	Rolling Load Capacity		lb kg	10,000	4535
5	Overall Length		in mm	60.3	1530	
Dimensions	6	Wheelbase		in mm	38 / 965	
	7	Turning Radius		in mm	48.3 / 1230	
	8	Grade Clearance		%	27	27
Battery		Min / Max Weight		lb kg	975 / 1500 / 440 / 680	
		Max Amp		amp hr kWh	750 / 21.5	
		Max Battery Size WxLxH		in mm	13.19 x 31.12 x 31.62 / 335 x 790 x 803	
10	Truck Weight	Less battery	lb kg	1280	580	

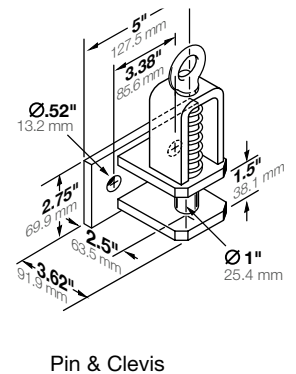
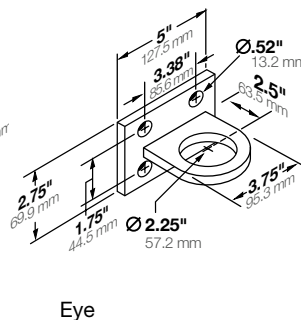
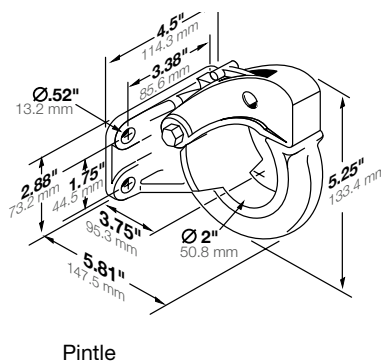
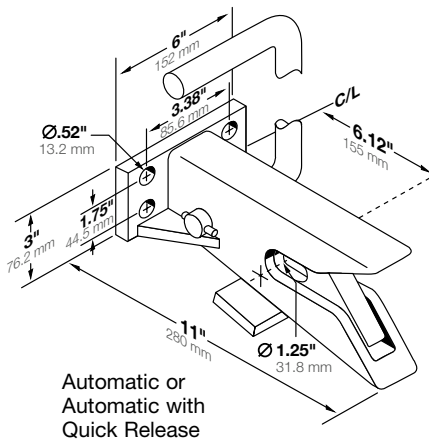
* 12" (305 mm) hitch height.

**Power unit first travel only.

Adjustable Hitch Options

Hitch plate allows all types of hitches to be adjusted in 1.75" (44.5 mm) increments.

Hitch	Hitch Heights			
	Minimum		Maximum	
Automatic	in mm	8" / 205	15" / 380	
Pintle	in mm	8.62" / 220	15.62" / 395	
Eye	in mm	8.75" / 225	15.75" / 400	
Pin & Clevis	in mm	7.88" / 200	16.62" / 420	





Crown Equipment Corporation
New Bremen, Ohio 45869 USA
Tel 419-629-2311
Fax 419-629-3796
crown.com

You can count on Crown to build lift trucks designed for safe operation, but that's only part of the safety equation. Crown encourages safe operating practices through ongoing operator training, safety-focused supervision, maintenance and a safe working environment. Go to crown.com and view our safety section to learn more.

Because Crown is continually improving its products, specifications are subject to change without notice.

Crown, the Crown logo, the color beige, the Momentum symbol are trademarks of Crown Equipment Corporation.

Copyright 2012 Crown Equipment Corporation
SF18551 04/12
Printed in U.S.A.